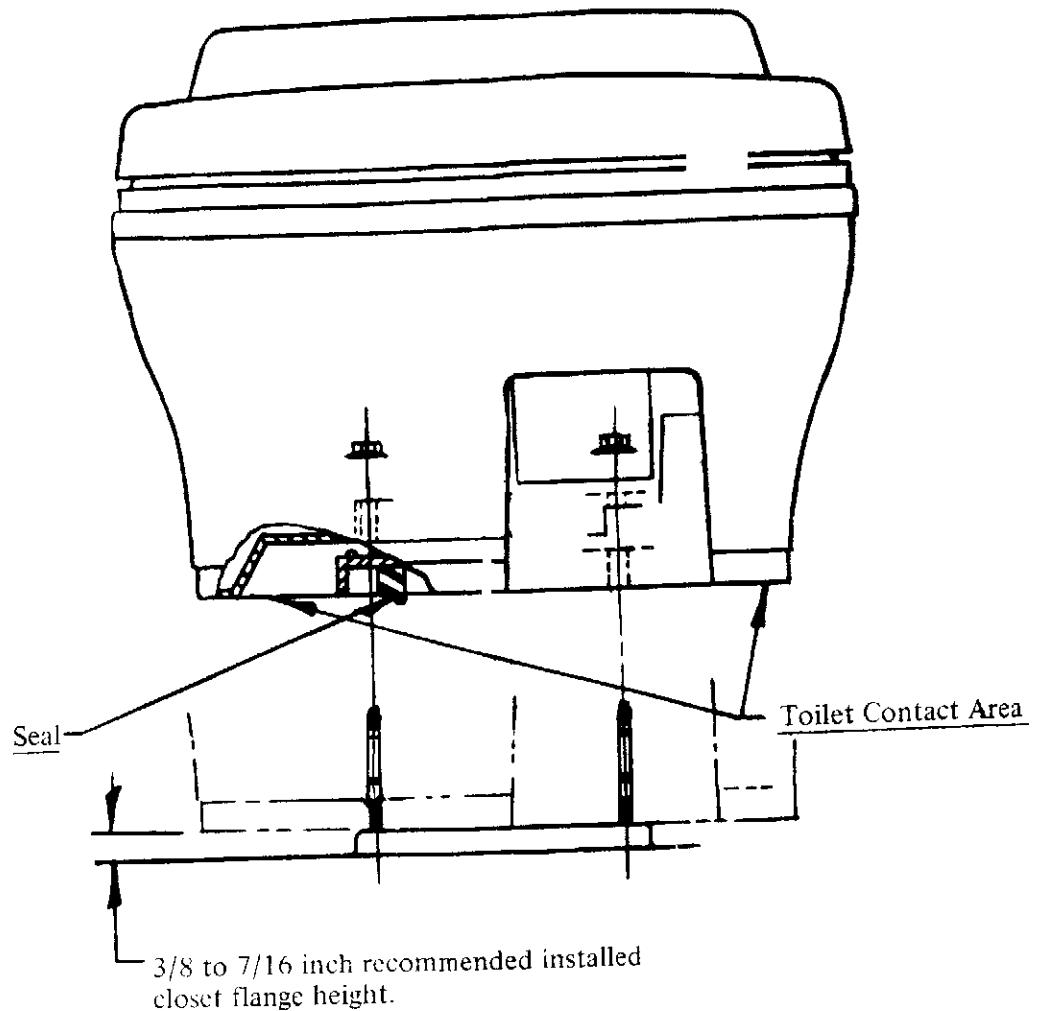


## A. CLOSET BOLT AND SEAT INSTALLATION

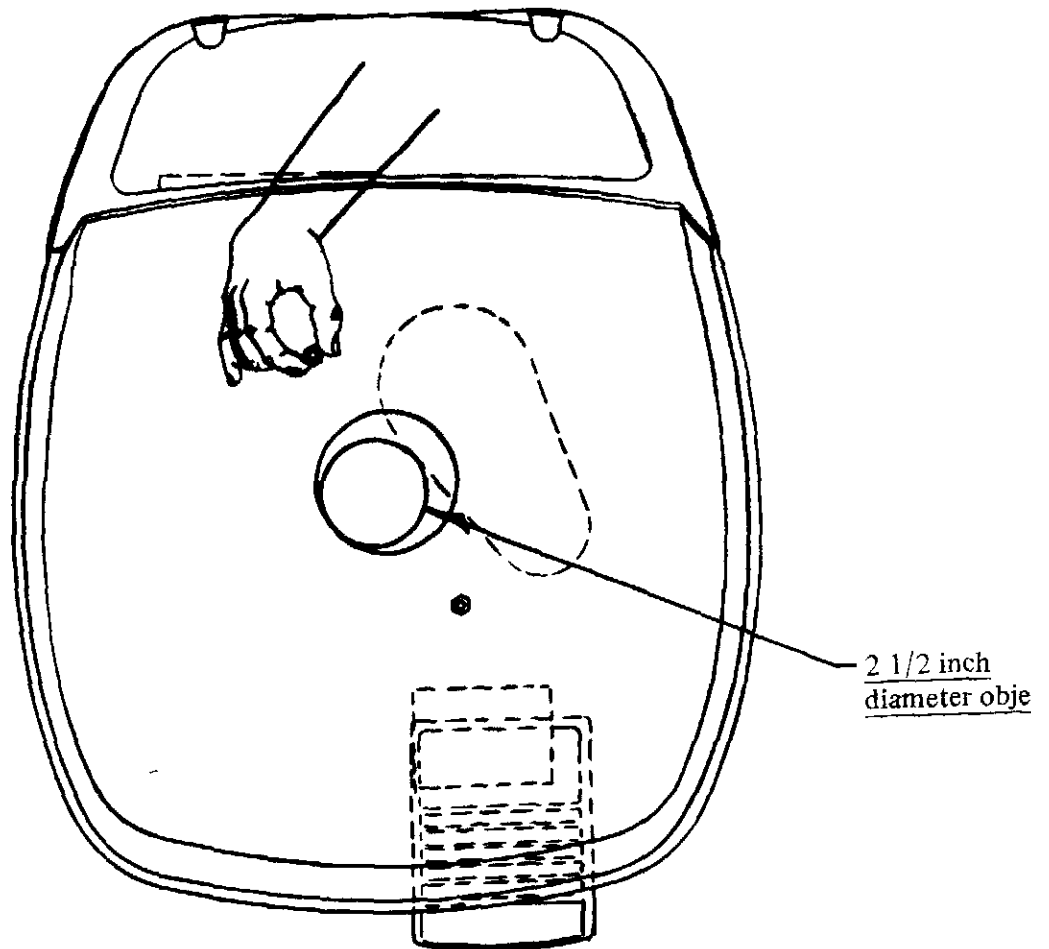
1. Install seal on mechanism as shown.
2. Install closet bolts on flange.
3. Align closet bolts with holes in mechanism and push toilet down firmly to compress flange seal.



Lay a straight edge across closet flange and measure distance to floor at toilet contact area to check flange installation. Too much gap may cause the flush mechanism to bind. Too little gap may prevent a good seal.

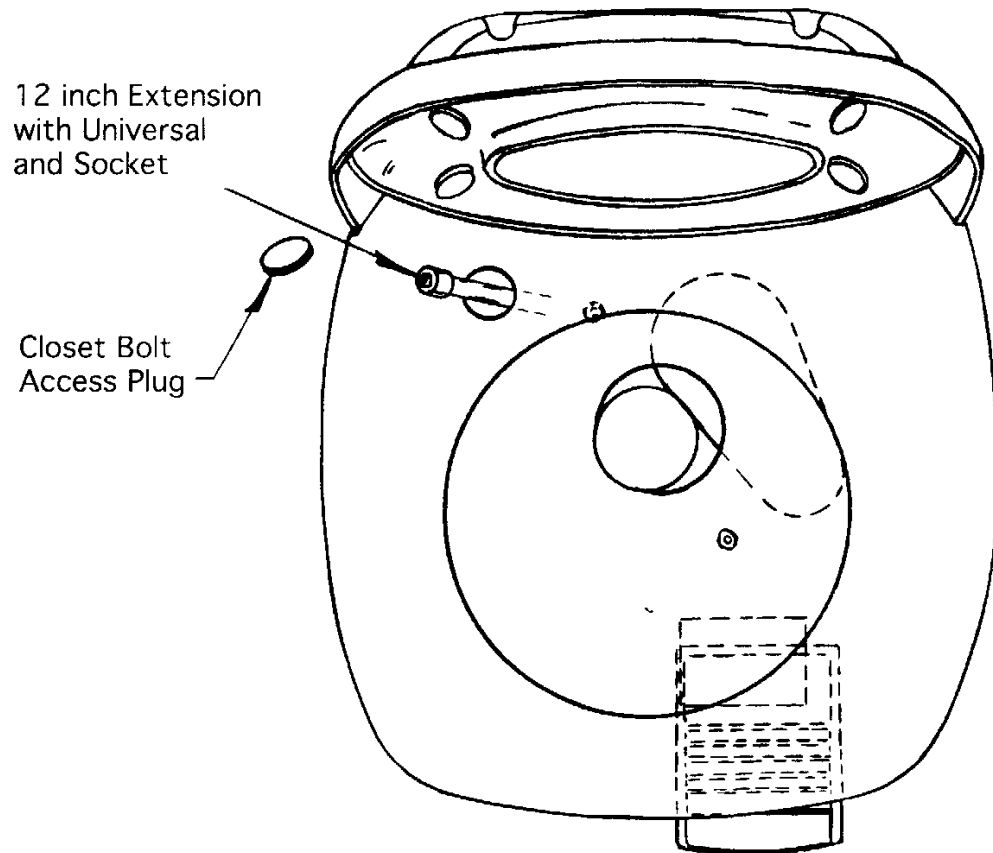
## B. FLANGE NUT ASSEMBLY

1. Assemble rear closet bolt flange nut by reaching through rear access hole with right hand. The header points on the closet bolts will assist in starting the nut. Hold toilet down firmly and run nut down finger tight.
2. Depress pedal and insert a 2 1/2 inch diameter object in the outlet. Release pedal slowly to catch object with blade. This will hold pedal in down position providing access to front closet bolt.
3. Assemble front flange nut. Hold toilet down firmly and run down finger tight.



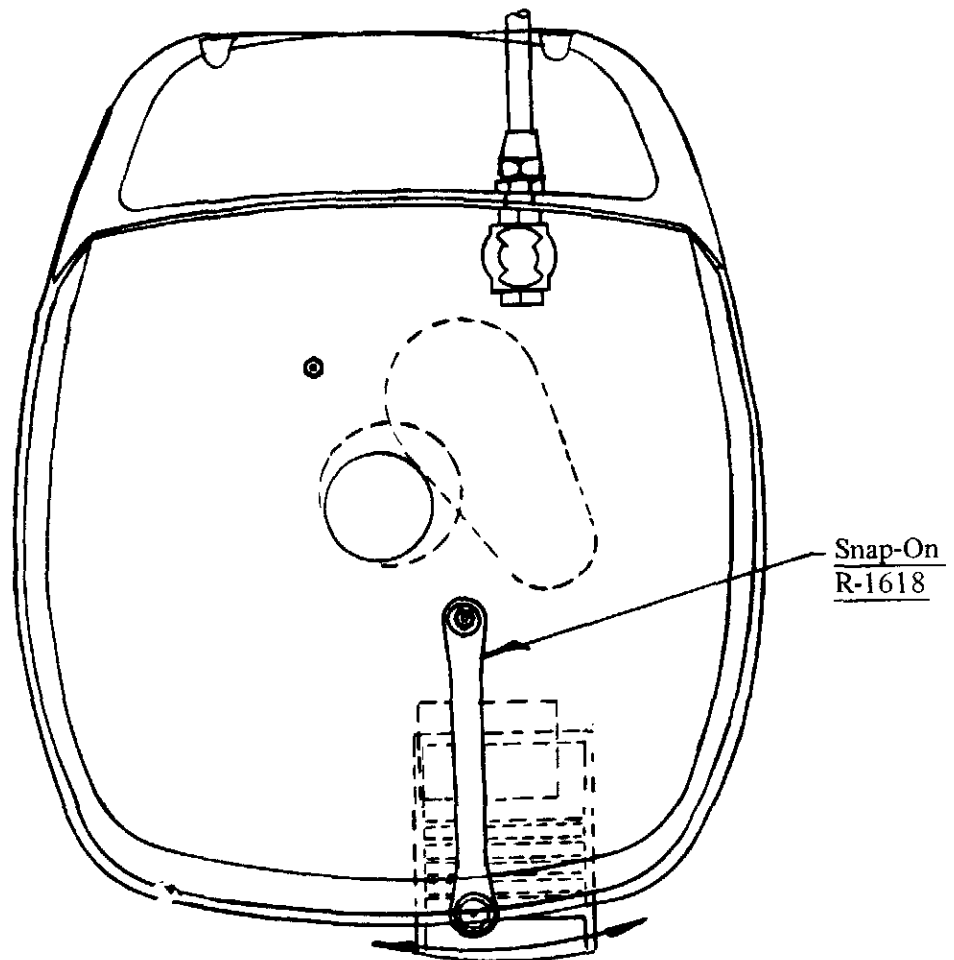
### C. ALTERNATE METHOD OF ATTACHING REAR CLOSET BOLT FLANGE NUT

1. Remove access plug from toilet top.
2. Assemble rear closet bolt flangenut by reaching through access hole located on top of water closet with a socket, universal, and 12 inch extension. The flange nut may be held in the socket with a small dab of sealer.



#### D. TIGHTENING OF CLOSET BOLTS AND WATER LINE CONNECTIONS

1. A 12 point 1/2 inch ratchet box end wrench such as the Snap-On R-1618 is an efficient tool for running down the flange nuts.
2. Tighten nuts until base of toilet contacts floor. This will stabilize toilet installation and provide an odor tight seal to the closet flange.
3. Water connection is a 3/8-18 pipe thread. Install pipe nipple or flare connector finger tight plus 1 to 1-1/2 turns. Protect from over tightening when fastening flare nut or additional plumbing. DO NOT solder fittings while connected to plastic ball valve.



4. Depress **pedal** and remove the 2 1/2 inch diameter object. Toilet installation is now complete.

#### E. TOILET REMOVAL

1. Reverse above procedures.